

**Thank you for purchasing this product. BATHROOM BUTLER®**

Please read these instructions carefully before installing this **BATHROOM BUTLER®** product.

**BTA-9135-VSA002**

For use with Fischer UX6x35mm Plug and #4.5x40mm Screw

**CAUTION**

The wall fasteners provided with the installation kit are for convenience purpose only and are not suitable for all types of installations. It is the ultimate responsibility of the installer to ensure that the product is mounted correctly and securely. These installation instructions are to be used as a guide as every installation is different. These installation instructions are suitable for both Masonry wall and Dry wall installations.

**PRODUCT LIMITED GUARANTEE**

All components of these **BATHROOM BUTLER®** stainless steel bathroom accessories are guaranteed against any manufacturing defects for a period of 10 years from date of purchase, excluding any special colour finishes which are guaranteed against any manufacturing defects for a period of 1 year from date of purchase, as printed on the sales docket, which must be provided as proof of purchase.

Excluded from this warranty are damages resulting from force majeure (Acts of God), including but not limited to lightning and floods, fair wear and tear, misuse, wilful damage, negligence, repair of device without the approval of **BATHROOM BUTLER®** or damage resulting from incorrect installation.

The manufacturer's liability is limited to repair or replacement of the bathroom accessories only. No claim for consequential damage and/or labour and/or transport will be entertained. Damages arising from misuse of the bathroom accessories will render the warranty invalid.

This warranty is only valid when the product has been purchased from an authorised reseller or country/territory distributor and is only valid within the geographical borders of the country/territory that it was originally purchased. This warranty only extends to the original purchaser of this product and is not transferable.

**CLEANING & CARE**

**BATHROOM BUTLER®** bathroom accessories are made from GRADE 304 Stainless Steel and should be cleaned regularly with a warm damp cloth and buffed dry with a clean dry cloth. Do not use the rough end of a kitchen sponge to clean your bathroom accessory. To remove any small blemishes or fine scratches, use a non-abrasive metal polish.

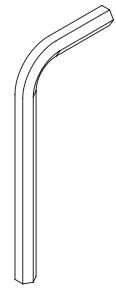
**DO NOT clean with Tile Grout cleaner** or any other **ACID BASED** cleaner/house-hold detergent that contains **CHLORINE**. This may contaminate and damage the surface finish of the bathroom accessory. Warranty will be void if these cleaning products are used.

**NOTE**

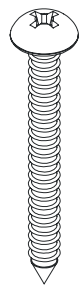
Products in diagrams used are for graphical representation only, actual products may vary from model to model.

**Masonry Wall Fixings Supplied**

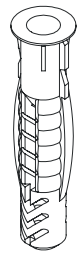
(all other tools shown are not supplied)



x1  
2.5mm



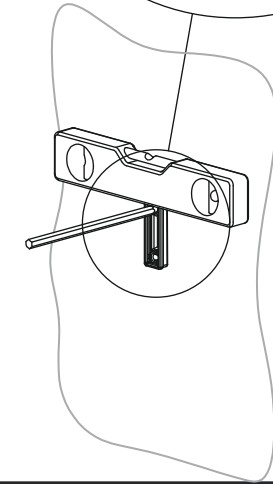
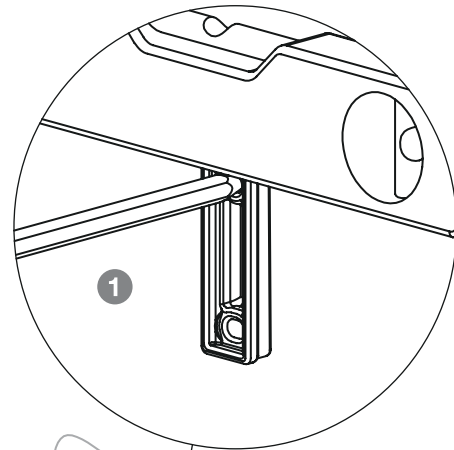
x2  
#4.5x40mm



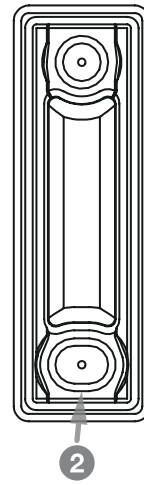
x2  
6mm UX Plugs

**1. Mark holes to drill**

1 Mark holes to drill using the Wedge



2 Take note of Wedge orientation



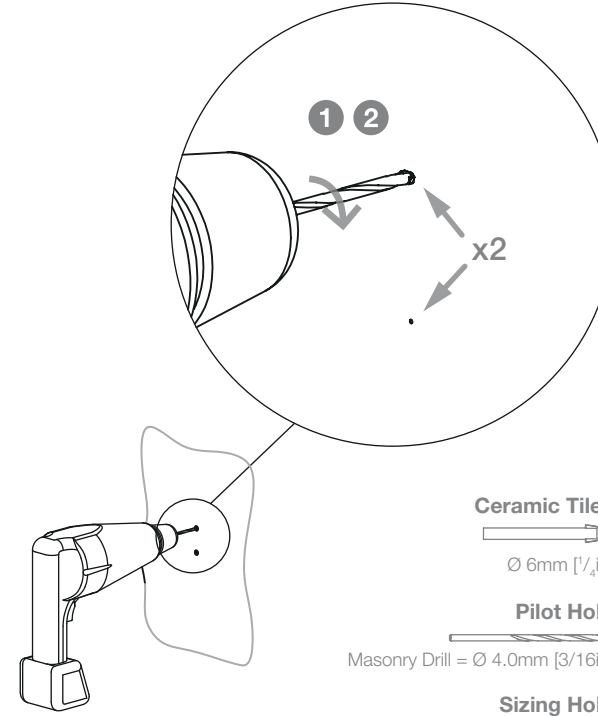
**2. Drill holes**

Water pipe warning



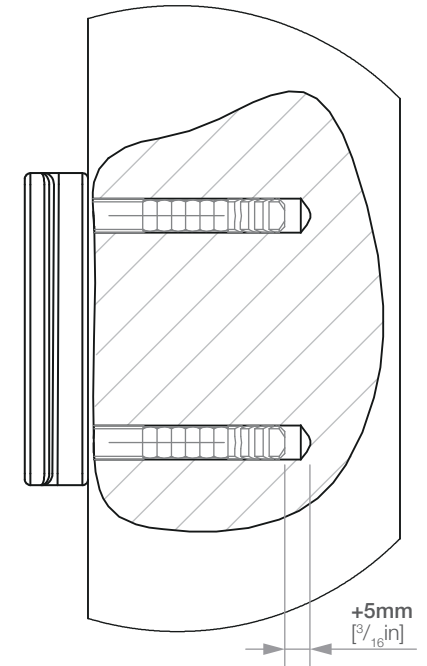
1 Drill Pilot Hole

2 Drill Sizing Hole -Note: Accurate HOLE SIZE is important to secure Accessory to the wall



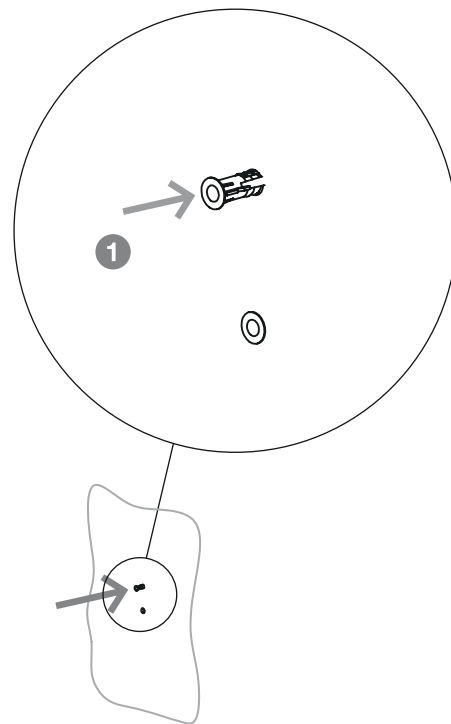
- Ceramic Tiles**  
Ø 6mm [1/4in]
- Pilot Hole**  
Masonry Drill = Ø 4.0mm [3/16in]
- Sizing Hole**  
Masonry Drill = Ø 6.0mm [1/4in]

3 Ensure hole depth is sufficient

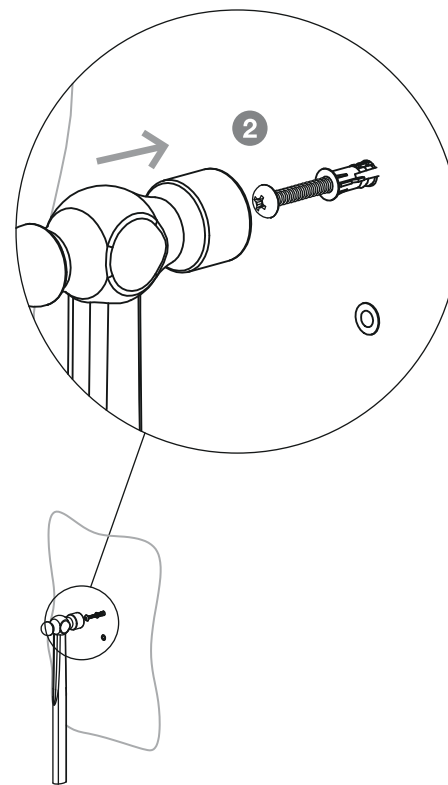


**3. Insert Plugs**

1 Insert Plastic Wall Plug into drilled hole



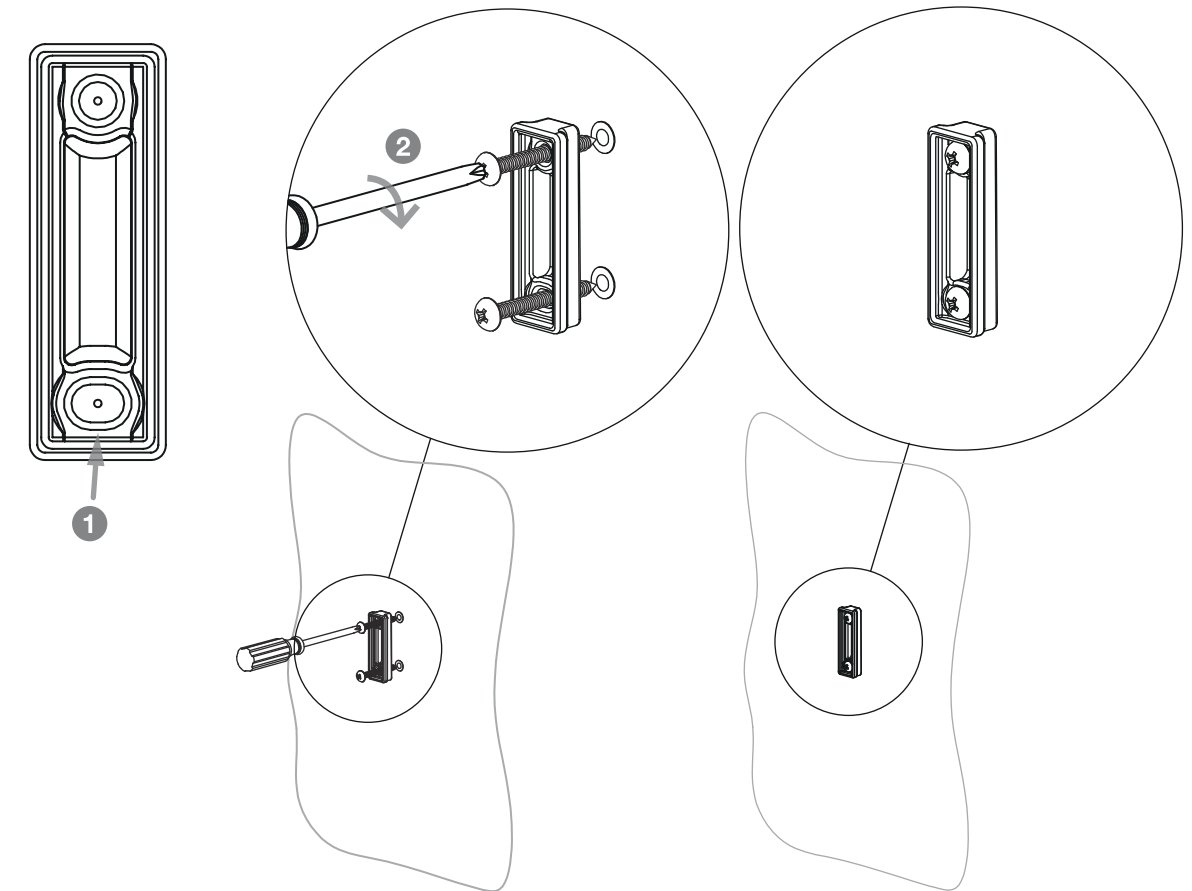
2 **TIP:** To prevent damage to the Plastic Plug and the wall, rotate screw 3-4 turns into the Plastic Plug and knock on the head of the screw with a hammer until Plastic Plug is flush with the wall.



**4. Add mount**

1 Take note of Wedge orientation

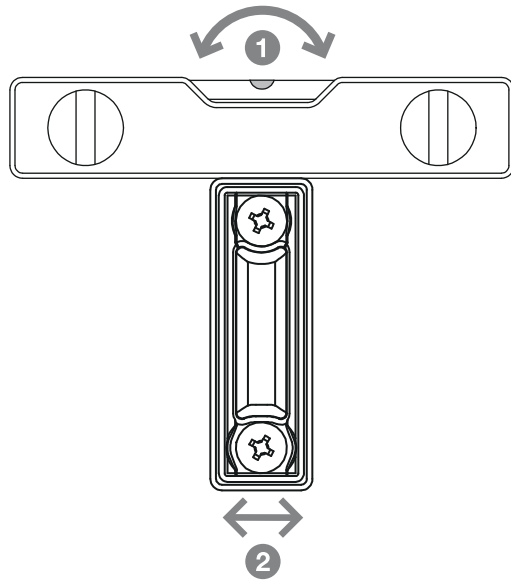
2 Secure the Wedge to the wall



\*Due to the fact that Bathroom Butler is always actively researching new methods and/or materials with a view to further improving our products you may notice some differences between the parts you received and the assembly method described herein. Please understand that this instruction leaflet is intended as a guide only.

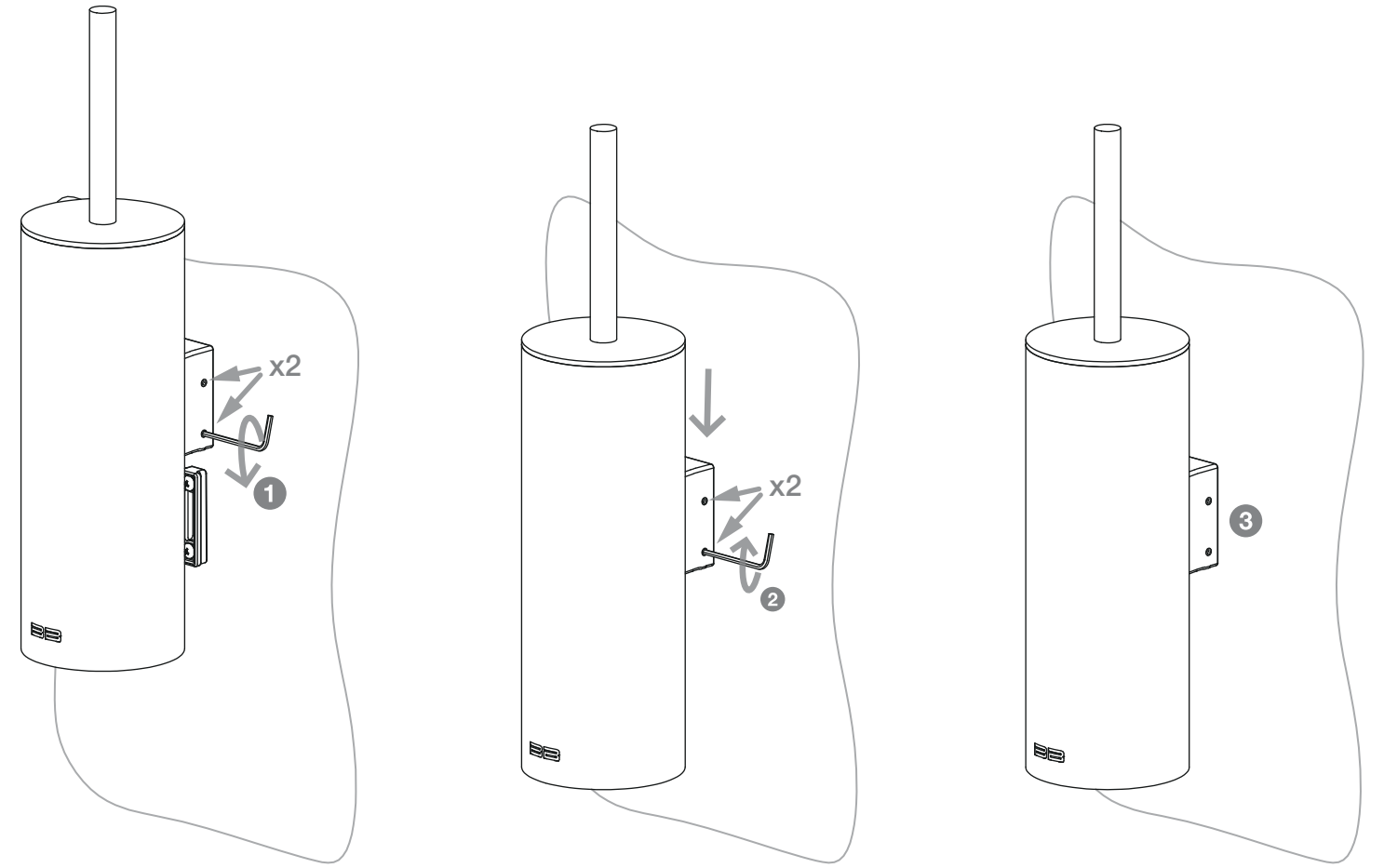
## 5. Check if Level and Adjust

- 1 Use Spirit Level to make sure Wedge is level.
- 2 If not level, loosen bottom screw and adjust to level.



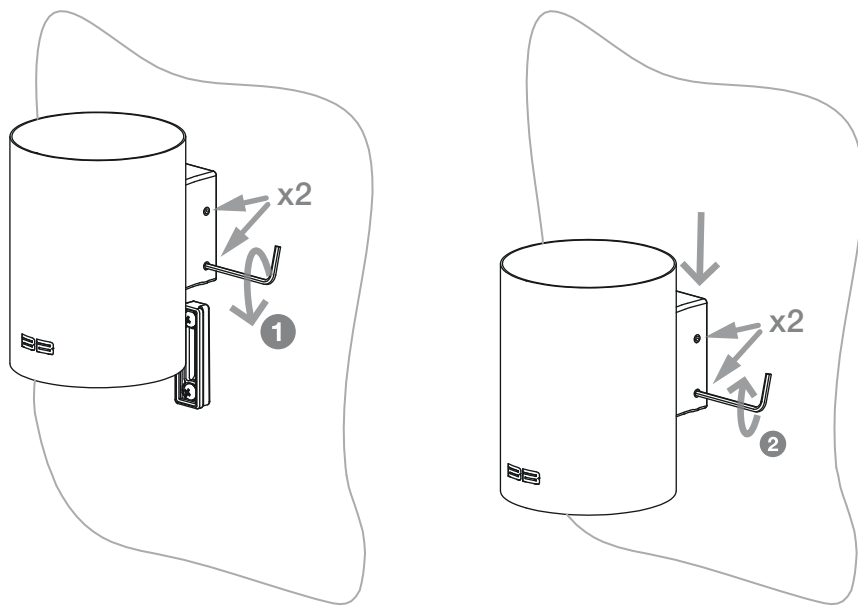
## 6. Add accessory and secure to wall

- 1 Loosen both locking screws
- 2 Slide accessory over Wedge, and tighten both locking screws
- 3 Mounting Complete

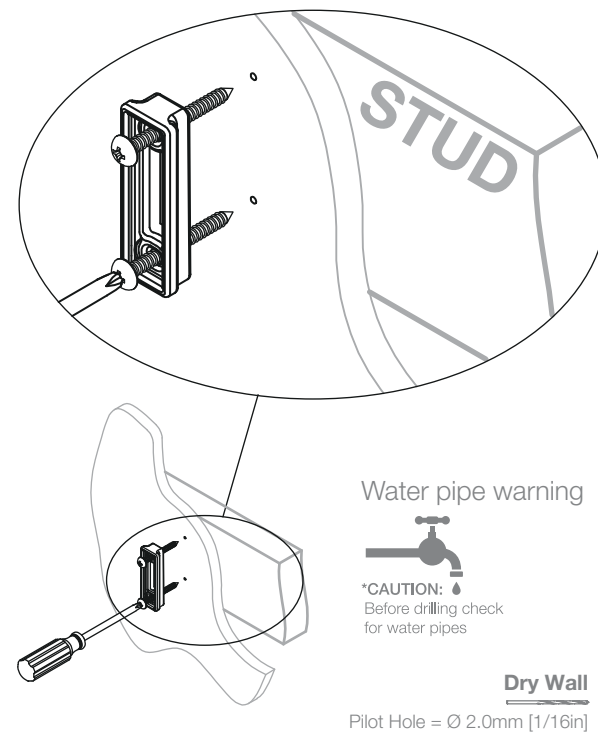


## 6. Add accessory and secure to wall continued...

Alternate model shown 5838 / 8638.



### Dry wall mounting - Install suggestion #1 Dry wall with Stud (preferred method)



### Dry wall mounting - Install suggestion #2 Dry wall without Stud

Tooling and Fasteners below would be required but are **not supplied with this product**

