

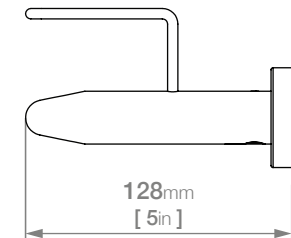
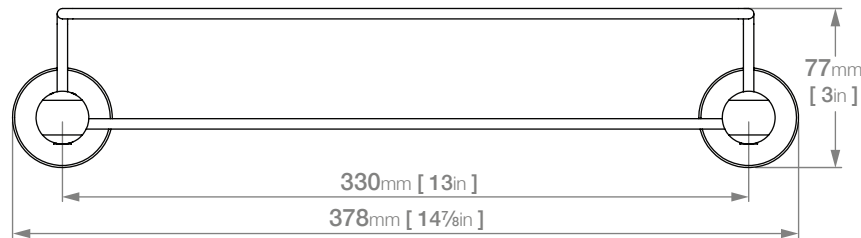
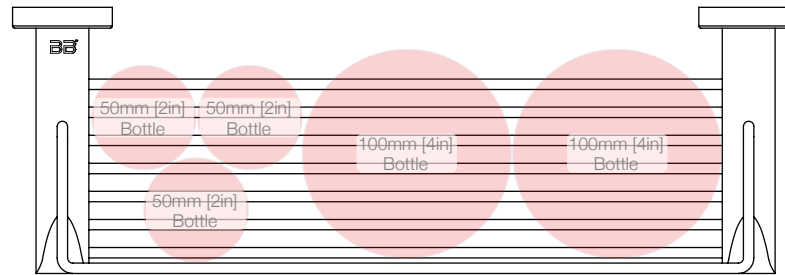
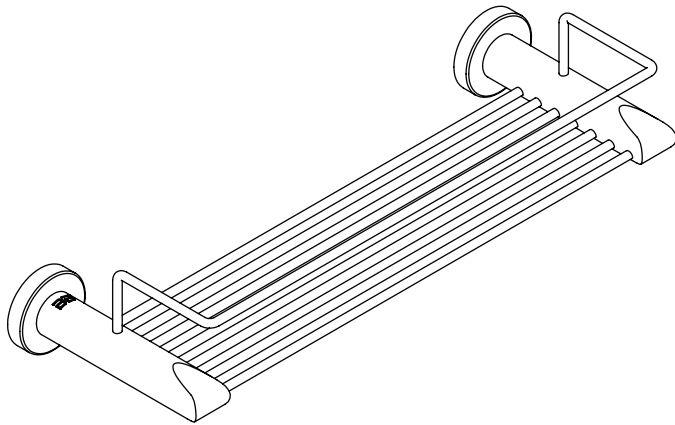
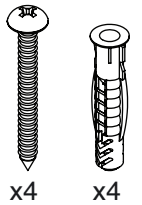
# 8220 SHOWER RACK 330mm / 13"

8200 Series Exclusive Collection

GRADE 304 Stainless Steel

Wall Fixings Supplied:  
**Masonry**

Original UX Fischer® Wall Plug



Model: BAAC8220####\*

(\*where #### is the relevant finish code)

\*\*Please note that not all finishes are available as a stocked product in all countries. Additional surcharges, MOQ's and longer lead times may apply.

Dimensions given are in **mm** and **[inches]**. Bathroom Butler® reserves the right to alter and/or remove designs from time to time without prior notice. This drawing is to be used for reference purposes only. E & O.E.

Copyright Bathroom Butler® 2022



USA: 631.464.2851 • [customercare@bathroombutler.com](mailto:customercare@bathroombutler.com) • [www.bathroombutler.com/us](http://www.bathroombutler.com/us)  
South Africa: 0860 104 653 • [info@bathroombutler.co.za](mailto:info@bathroombutler.co.za) • [www.bathroombutler.com/za](http://www.bathroombutler.com/za)  
Australia: +61 436 487 420 • [info\\_au@bathroombutler.com](mailto:info_au@bathroombutler.com) • [www.bathroombutler.com/au](http://www.bathroombutler.com/au)  
Mauritius: 230 242 1248 • [sales@lisinggroup.com](mailto:sales@lisinggroup.com) • [www.bathroombutler.com](http://www.bathroombutler.com)



RIGID LOC  
MOUNTING  
SYSTEM



GRADE 304  
STAINLESS STEEL



15  
YEAR LIMITED  
GUARANTEE

Document version **023**  
Product version **020**