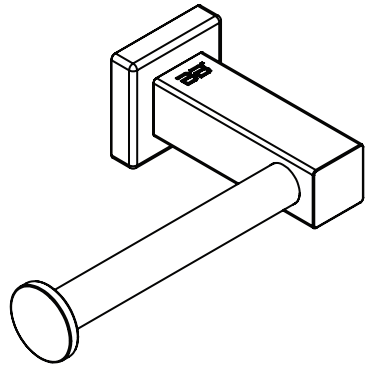


# 8507 PAPER HOLDER TYPE 1 Left

## 8500 Series Premium Collection

GRADE 304 Stainless Steel

Wall Fixings Supplied:  
**Masonry**

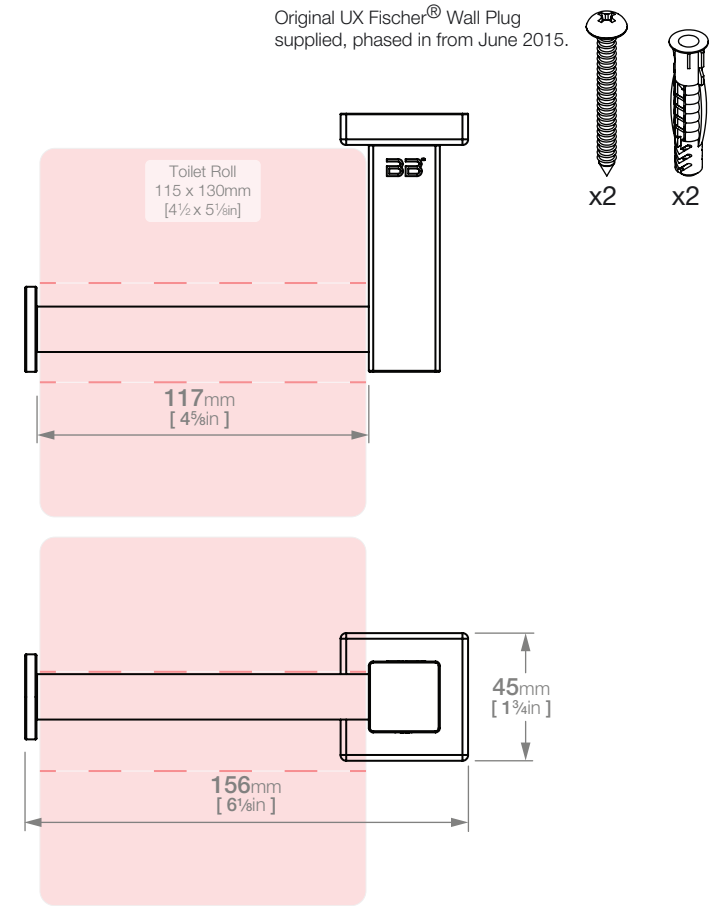
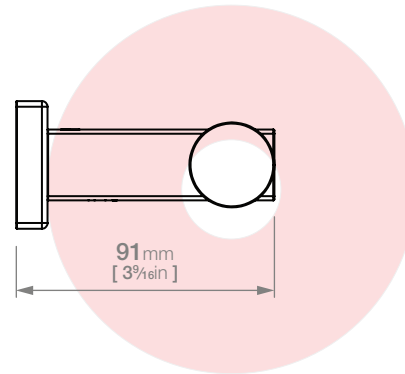


**Models:** BAAC8507POLS  
BAAC8507BRSH  
BAAC8507MBLK

Where the product finish is denoted as:



\*Please note that not all finishes are available as a stocked product in all countries. Additional surcharges, MOQ's and longer lead times may apply.



Dimensions given are in **mm** and **[inches]**. Bathroom Butler® reserves the right to alter and/or remove designs from time to time without prior notice. This drawing is to be used for reference purposes only. E &O.E.

Copyright Bathroom Butler® 2021

**BB™** BATHROOM  
BUTLER

USA: 631.464.2851 • info@bathroombutler.com • www.bathroombutler.com  
South Africa: 0860 104 653 • info@bathroombutler.co.za • www.bathroombutler.co.za  
Australia: 1300 133 320 • sales@bathe.net.au • www.bathroombutler.com  
Mauritius: 230 242 1248 • sales@lisinggroup.com • www.bathroombutler.com



Document version **020**  
Product version **021**