

# NATURAL 4 Bar 500mm STR-TDC 230V

GRADE 304 Stainless Steel

Model/SKU: NAT04221-TDC-####\*

(\*where #### is the relevant finish code)

## HTR Technical Specifications:

Size: 524mm (width) x 535mm (height)

Power: 40 Watts

Current: 0.18 Amps

Volts: 230 VAC

IP Rating: IPX5

Controller Fitted: TDC Timer (TDC)

## Controller Features:

- 4 On/Off programs in a 24hr period
- Temperature Adjustment
- 4 Modes of operation
- Screen Auto-Lock
- One button push - QUICK RUN
- 24hr Clock

## Controller Technical Specifications:

INPUT Voltage Range: 190VAC~250VAC

Operating Frequency: 50 Hz  $\pm 2\%$

Load Capability: 0.18A~4A

Load Control Range: 40~100%

Standby Current: 3.5mA

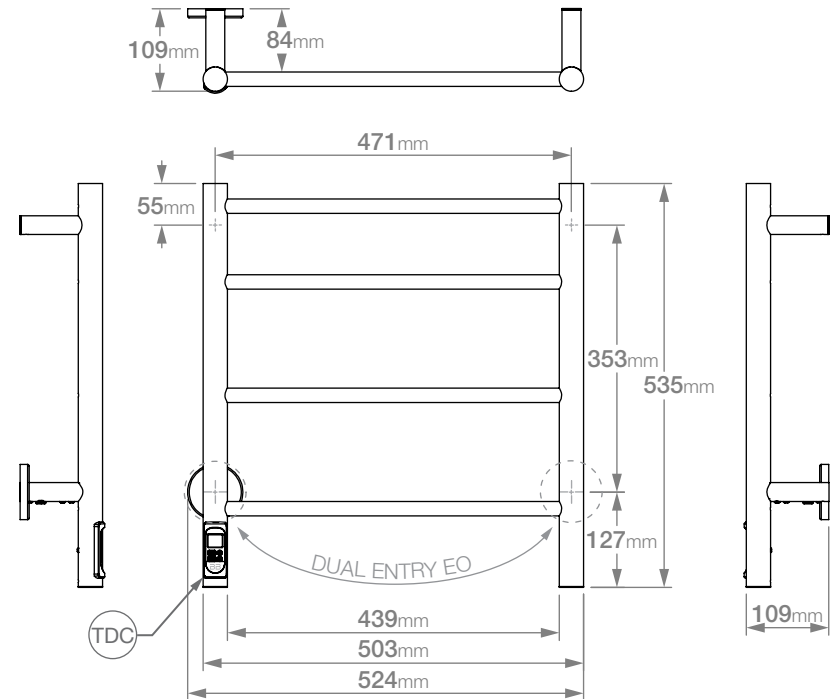
Suggested Height of Electrical Outlet = 1125mm

(this is only an indication as every installation is different)

## NOTES:

\*EO Denotes DUAL ENTRY Electrical Outlet connection

\*TDC Denotes location of TDC Timer



Dimensions given are in mm. Bathroom Butler® reserves the right to alter and/or remove designs from time to time without prior notice. This drawing is to be used for reference purposes only. E &O.E.

Copyright Bathroom Butler® 2021

**BB**™ BATHROOM BUTLER



USA: 631.464.2851 • [customercare@bathroombutler.com](mailto:customercare@bathroombutler.com) • [www.bathroombutler.com/us](http://www.bathroombutler.com/us)  
South Africa: 0860 104 653 • [info@bathroombutler.co.za](mailto:info@bathroombutler.co.za) • [www.bathroombutler.com/za](http://www.bathroombutler.com/za)  
Australia: +61 436 487 420 • [info\\_aus@bathroombutler.com](mailto:info_aus@bathroombutler.com) • [www.bathroombutler.com/au](http://www.bathroombutler.com/au)  
Mauritius: 230 242 1248 • [sales@lisinggroup.com](mailto:sales@lisinggroup.com) • [www.bathroombutler.com](http://www.bathroombutler.com)

Document version 033

Product version 030