

# NATURAL 7 Bar 800mm STR-TDC 230V

GRADE 304 Stainless Steel

**Model/SKU:** NAT07241-TDC-####\*  
(\*where #### is the relevant finish code)

## HTR Technical Specifications:

**Size:** 824mm (width) x 585mm (height)

**Power:** 95 Watts

**Current:** 0.41 Amps

**Volts:** 230 VAC

**IP Rating:** IPX5

**Controller Fitted:** TDC Timer (TDC)

## Controller Features:

- 4 On/Off programs in a 24hr period
- Temperature Adjustment
- 4 Modes of operation
- Screen Auto-Lock
- One button push - QUICK RUN
- 24hr Clock

## Controller Technical Specifications:

**INPUT Voltage Range:** 190VAC~250VAC

**Operating Frequency:** 50 Hz  $\pm$ 2%

**Load Capability:** 0.18A~4A

**Load Control Range:** 40~100%

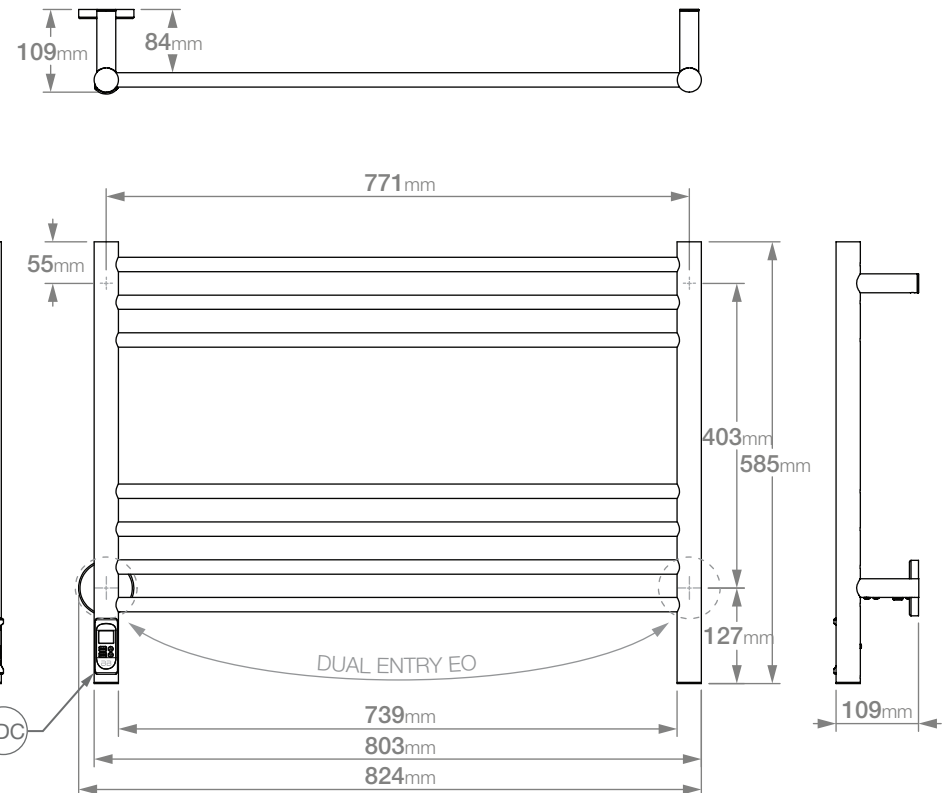
**Standby Current:** 3.5mA

**Suggested Height of Electrical Outlet = 1075mm**  
(this is only an indication as every installation is different)

## NOTES:

\*EO Denotes DUAL ENTRY Electrical Outlet connection

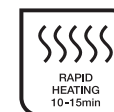
\*TDC Denotes location of TDC Timer



Dimensions given are in mm. Bathroom Butler® reserves the right to alter and/or remove designs from time to time without prior notice. This drawing is to be used for reference purposes only. E & O.E.

Copyright Bathroom Butler® 2021

**BB**™ BATHROOM BUTLER



USA: 631.464.2851 • customercare@bathroombutler.com • www.bathroombutler.com/us  
South Africa: 0860 104 653 • info@bathroombutler.co.za • www.bathroombutler.com/za  
Australia: +61 436 487 420 • info\_aus@bathroombutler.com • www.bathroombutler.com/au  
Mauritius: 230 242 1248 • sales@lisingroup.com • www.bathroombutler.com

Document version **033**

Product version **030**